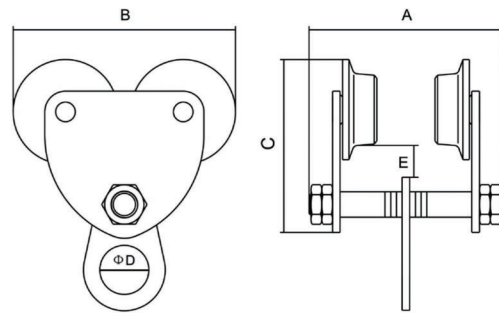


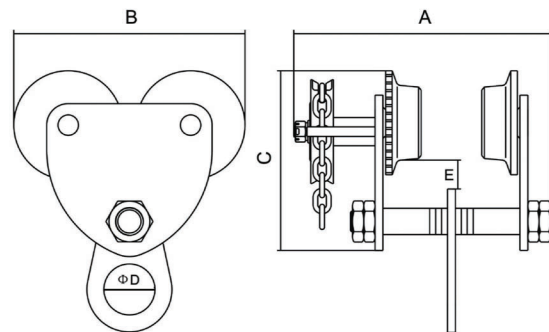
Plain Trolley VIT-II Type



Specifications

Model		VIT005A	VIT010A	VIT020A	VIT030A	VIT050A	VIT100A
Capacity	(t)	0.5	1	2	3	5	10
Proof Load	(t)	0.75	1.5	3	4.5	7.5	15
I-Beam Width	(mm)	75-125	75-125	100-150	100-150	125-175	125-210
Dimensions (mm)	A	200	210	242	262	297	410
	B	170	204	233	279	306	389
	C	134.5	164	180	224.5	252	383.5
	D	35	44	60	70	80	80
	E	19.5	18.25	21	17	16.5	48
Min. Radius Curve	(m)	0.9	1	1.1	1.3	1.4	2.6
Net Weight	(kg)	4.6	7.4	11.9	20	32.1	91

Geared Trolley VIT-III Type



Specifications

Model		VIT010B	VIT020B	VIT030B	VIT050B
Capacity	(t)	1	2	3	5
Proof Load	(t)	1.5	3	4.5	7.5
I-Beam Width	(mm)	75-125	100-150	100-150	125-175
Dimensions (mm)	A	255	292	314	360
	B	204	233	279	306
	C	164	180	224.5	252
	D	45	60	70	80
	E	18.25	21	17	16.5
Min. Radius Curve	(m)	1	1.1	1.3	1.4
Net Weight	(kg)	11.6	16.1	24.7	37.1