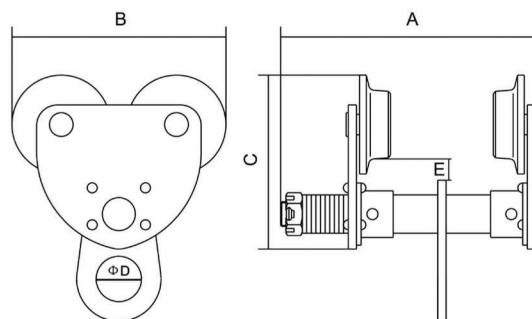


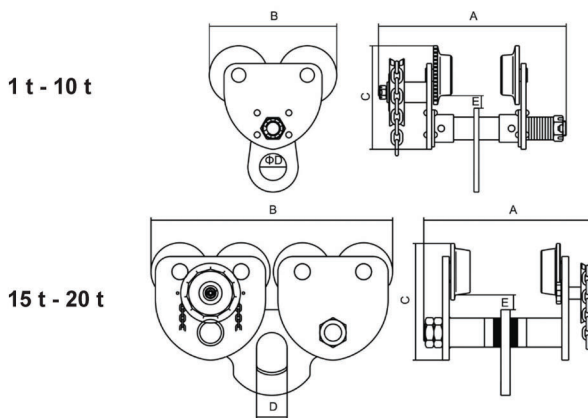
Plain Trolley VP-II Type



Specifications

Model		VP005	VP010	VP020	VP030	VP050	VP100
Capacity	(t)	0.5	1	2	3	5	10
Proof Load	(t)	0.75	1.5	3	4.5	7.5	15
I-Beam Width	(mm)	75-125	75-125	100-150	100-150	125-175	125-210
Dimensions (mm)	A	220	220	249	270	300	410
	B	174	229	272	304	336	389
	C	150	179	233	262	302	383.5
	D	45	45	60	60	78	80
	E	17.7	23	29	38	43	48
Min. Radius Curve	(m)	0.9	1.3	1.5	2	2.6	2.6
Net Weight	(kg)	6.5	10.2	18.7	30	46	91

Geared Trolley VG-III Type



Specifications

Model		VG010	VG020	VG030	VG050	VG0100	VG150	VG200
Capacity	(t)	1	2	3	5	10	15	20
Proof Load	(t)	1.5	3	4.5	7.5	15	22.5	30
I-Beam Width	(mm)	75-125	100-150	100-150	125-175	125-210	125-210	125-210
Dimensions (mm)	A	298	319	340	368	457	463.5	457
	B	229	272	304	336	389	789	789
	C	179	233	262	302	383.5	383.5	383.5
	D	45	60	60	78	80	100	100
	E	23	29	38	43	48	48	48
Min. Radius Curve	(m)	1.3	1.5	2	2.6	2.6	5	5
Net Weight	(kg)	15	23.9	35.8	52.1	96	178	193