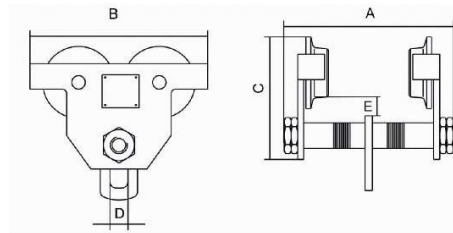


## PLAIN TROLLEY KW-II GEARED TROLLEY KW-III

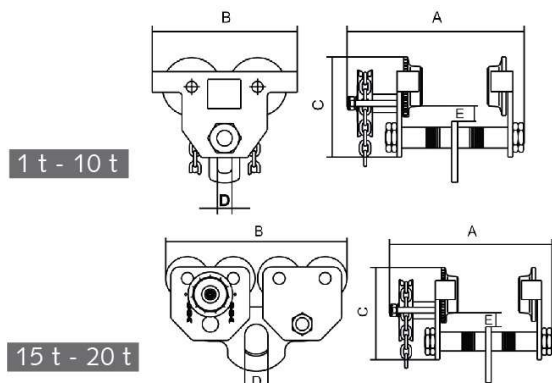
Heavy Duty for European Market

### Plain Trolley KW-II



Model No.		KW005A	KW010A	KW020A	KW030A	KW050A	KW100A
Capacity	(t)	0.5	1	2	3	5	10
Proof Load	(t)	0.75	1.5	3	4.5	7.5	15
I-Beam Width	(mm)	50-152	64-203	88-203	100-203	114-203	125-210
	A	230	296	313	334	363	410
Dimensions (mm)	B	218	257	300	340	380	389
	C	155	181	214.5	252	290	364.5
	D	24	30	36	45	60	80
	E	21.7	23.5	23.5	32.5	28	48
	Min. Radius Curve	(m)	1	1	1.1	1.3	1.4
Net Weight	(kg)	7.1	12.8	18.8	33.7	50.7	88

### Geared Trolley KW-III



Model No.		KW010B	KW020B	KW030B	KW050B	KW100B	KW150B	KW200B
Capacity	(t)	1	2	3	5	10	15	20
Proof Load	(t)	1.5	3	4.5	7.5	15	22.5	30
I-Beam Width	(mm)	64-203	88-203	100-203	114-203	125-210	125-210	125-210
	A	344	362	383	416	461	480	480
Dimensions (mm)	B	257	300	340	380	389	789	789
	C	181	214.5	252	290	364.5	364.5	364.5
	D	30	36	45	60	80	100	100
	E	23.5	23.5	32.5	28	48	48	48
	Min. Radius Curve	(m)	1	1.1	1.3	1.4	1.7	1.7
Net Weight	(kg)	17	23.5	38.7	55.7	93	176	191